

Toggle Switches



Specifications:

Electrical:

Maximum contact rating	: Silver : 5 A at 120 V ac or 28 V dc, 2 A at 250 V ac, A* Gold : 0.4 VA at 20 V (ac or dc), B*
Maximum contact resistance	: 10 mΩ
Minimum insulation resistance	: 1,000 MΩ at 500 V dc
Dielectric strength	: 1,000 V rms

Mechanical:

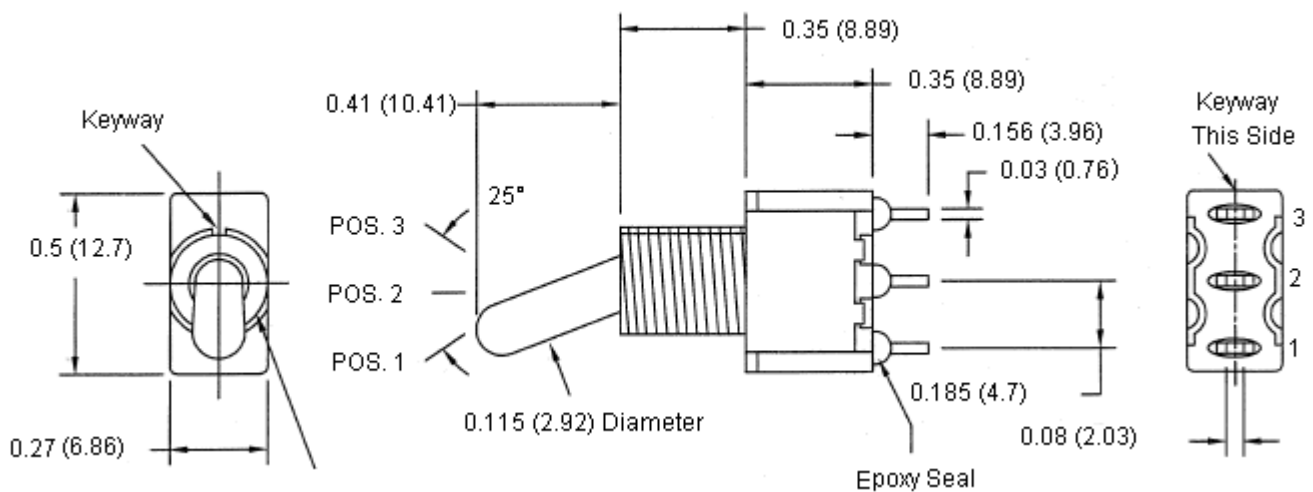
Life	: 40,000 cycles
------	-----------------

Environmental:

Operating temperature	: -30°C to +85°C
-----------------------	------------------

Material:





Case	: DAP
Housing	: Stainless steel
Actuator	: Brass, chrome plated
Bushing	: Brass, nickel plated
Support	: Brass, tin plated
Contact / Terminals	: Copper alloy, silver or gold plated



Dimensions : Inches (Millimetres)

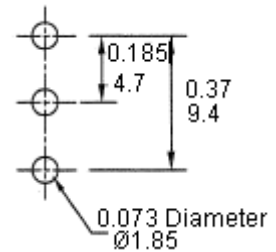
Toggle Switches



Model No.	Switching Position		
			
SPC21516, SPC21259 SPC21260, SPC21269 SPC21274, SPC21279	ON	NONE	ON
SPC21255, SPC21261 SPC21262, SPC21270 SPC21410, SPC21275 SPC21280	ON	NONE	MOM
SPC21256, SPC21263 SPC21264, SPC21271 SPC21276, SPC21281	ON	OFF	ON
SPC21257, SPC21265 SPC21266, SPC21272 SPC21411, SPC21277 SPC21282	MOM	OFF	MOM
SPC21258, SPC21267 SPC21268, SPC21273 SPC21278, SPC21283	ON	OFF	MOM
Conn. Terms	2-3	OPEN	2-1
Schematic	SPDT 		

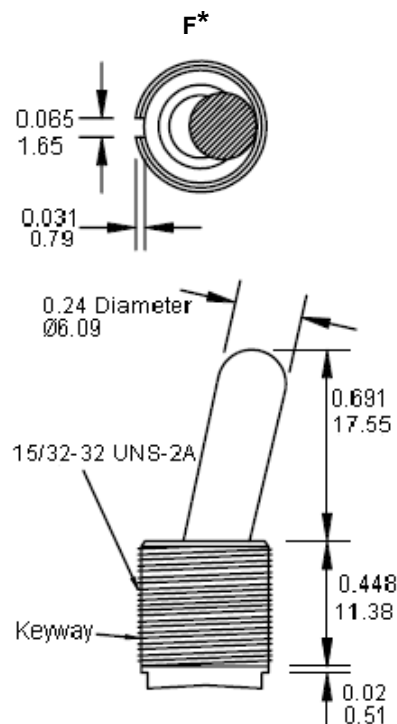
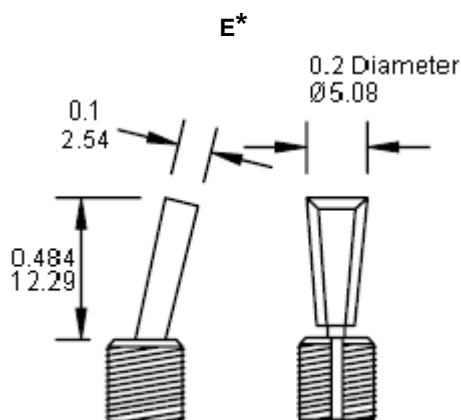
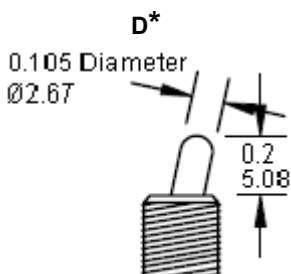
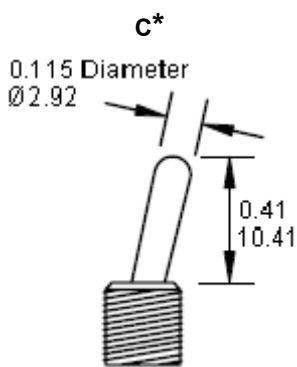
For PC Mount Termination Only

PCB Layout
Component Side



Dimensions : Inches (Millimetres)

Actuator Options

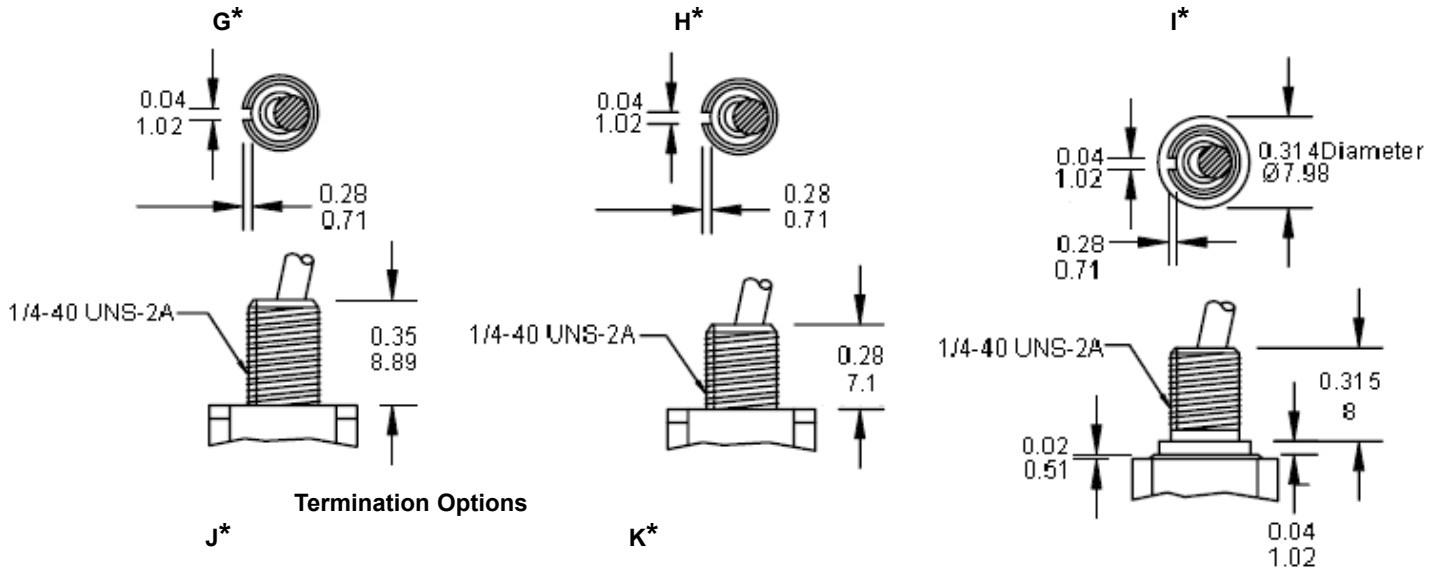


Dimensions : Inches (Millimetres)

Toggle Switches

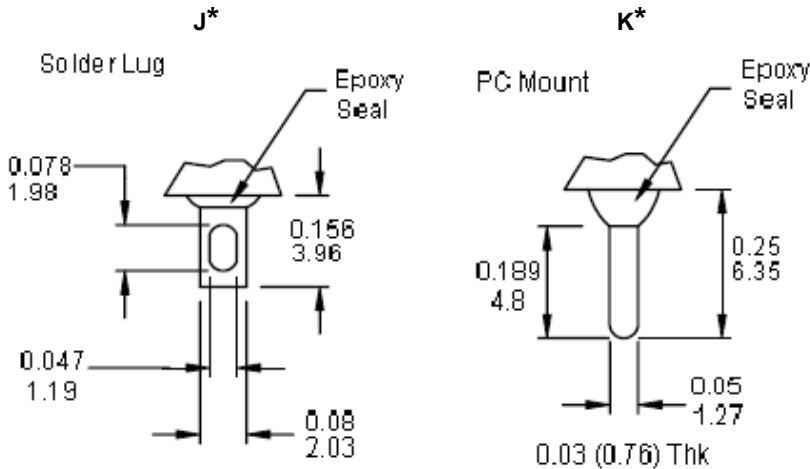


Bushing Options

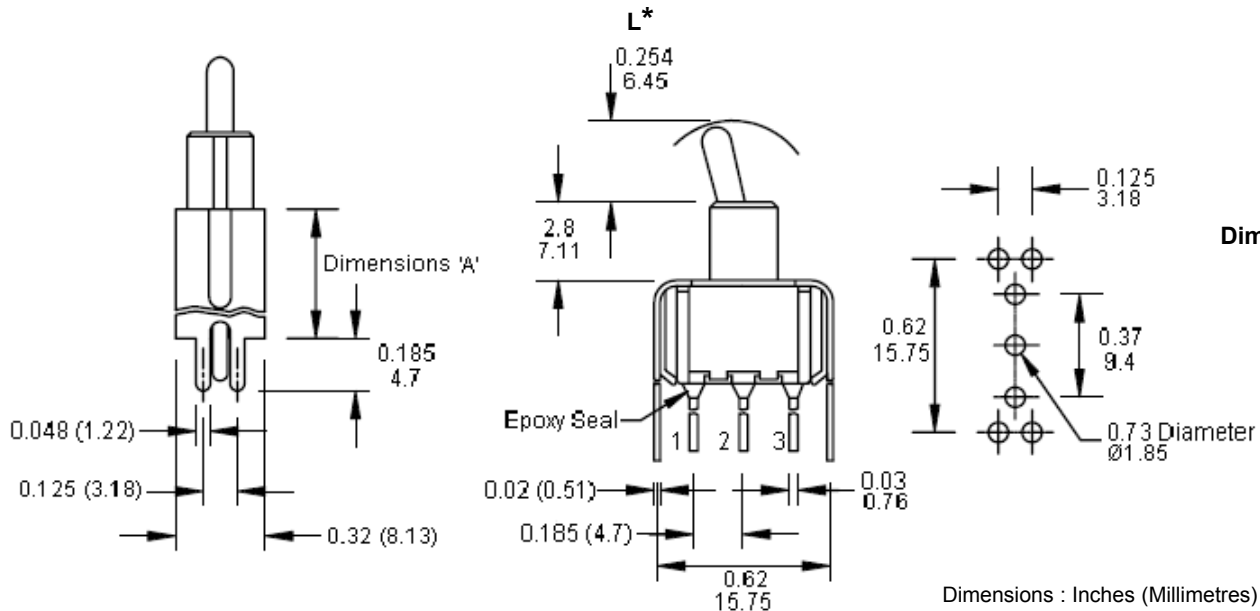


Dimensions : Inches (Millimetres)

Termination Options



Vertical Support Bracket



Dimension Table

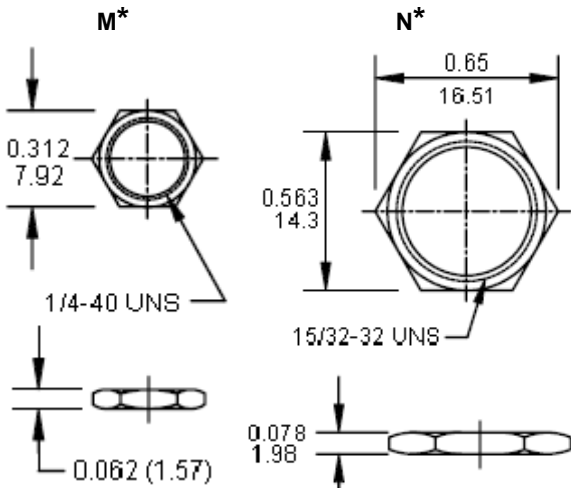
'A'
0.46 (11.68)

Dimensions : Inches (Millimetres)

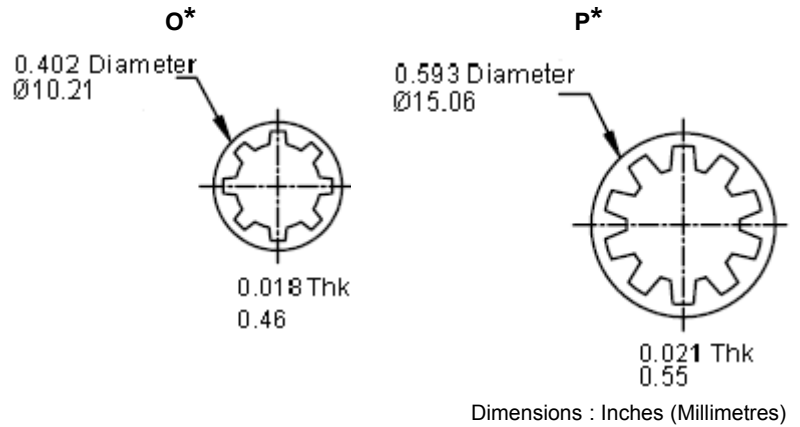


Toggle Switches

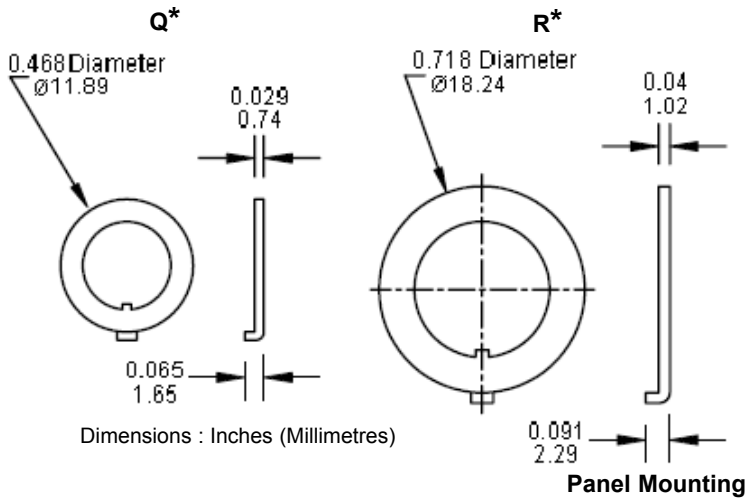
Standard Nuts



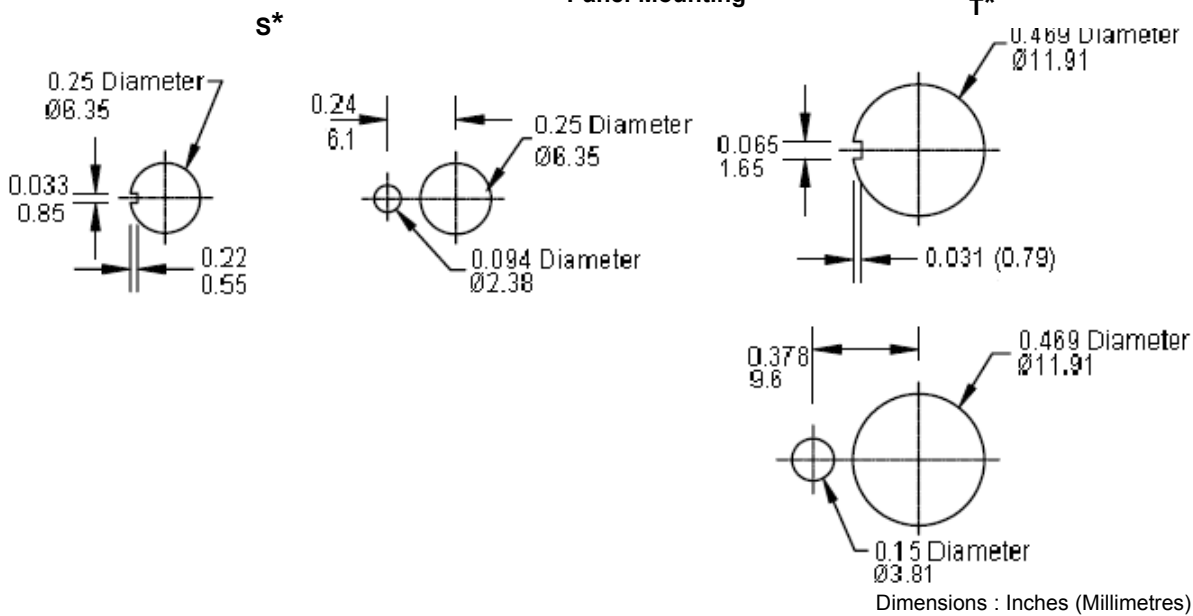
Lock Washer



Locking Ring



Panel Mounting



Toggle Switches



Part Number Table

Description	Part Number	
Toggle Switch	SPC21255	A*, J*, M*, O*, Q*, S*, C*, G*
Toggle Switch	SPC21516	A*, J*, M*, O*, Q*, S*, C*, G*
Toggle Switch	SPC21256	A*, J*, M*, O*, Q*, S*, C*, G*
Toggle Switch	SPC21257	A*, J*, M*, O*, Q*, S*, C*, G*
Toggle Switch	SPC21258	A*, J*, M*, O*, Q*, S*, C*, G*
Toggle Switch	SPC21259	A*, K*, M*, O*, Q*, S*, C*, G*
Toggle Switch	SPC21260	B*, K*, M*, O*, Q*, S*, C*, G*
Toggle Switch	SPC21261	A*, K*, M*, O*, Q*, S*, C*, G*
Toggle Switch	SPC21262	B*, K*, M*, O*, Q*, S*, C*, G*
Toggle Switch	SPC21263	A*, K*, M*, O*, Q*, S*, C*, G*
Toggle Switch	SPC21264	B*, K*, M*, O*, Q*, S*, C*, G*
Toggle Switch	SPC21265	A*, K*, M*, O*, Q*, S*, C*, G*
Toggle Switch	SPC21266	B*, K*, M*, O*, Q*, S*, C*, G*
Toggle Switch	SPC21267	A*, K*, M*, O*, Q*, S*, C*, G*
Toggle Switch	SPC21268	B*, K*, M*, O*, Q*, S*, C*, G*
Toggle Switch	SPC21269	A*, J*, M*, O*, Q*, S*, E*, G*
Toggle Switch	SPC21270	A*, J*, M*, O*, Q*, S*, E*, G*
Toggle Switch	SPC21271	A*, J*, M*, O*, Q*, S*, E*, G*
Toggle Switch	SPC21272	A*, J*, M*, O*, Q*, S*, E*, G*
Toggle Switch	SPC21273	A*, J*, M*, O*, Q*, S*, E*, G*
Toggle Switch	SPC21274	A*, J*, L*, P*, R*, T*, N*, F*
Toggle Switch	SPC21410	A*, I*, J*, M*, Q*, S*, C*
Toggle Switch	SPC21411	A*, I*, J*, M*, Q*, S*, C*
Toggle Switch	SPC21275	A*, J*, L*, P*, R*, T*, N*, F*
Toggle Switch	SPC21276	A*, J*, L*, P*, R*, T*, N*, F*
Toggle Switch	SPC21277	A*, J*, L*, P*, R*, T*, N*, F*
Toggle Switch	SPC21278	A*, J*, L*, P*, R*, T*, N*, F*
Toggle Switch	SPC21279	B*, H*, K*, Q*, S*, D*
Toggle Switch	SPC21280	B*, H*, K*, Q*, S*, D*
Toggle Switch	SPC21281	B*, H*, K*, Q*, S*, D*
Toggle Switch	SPC21282	B*, H*, K*, Q*, S*, D*
Toggle Switch	SPC21283	B*, H*, K*, Q*, S*, D*

Disclaimer This data sheet and its contents (the "Information") belong to the Premier Farnell Group (the "Group") or are licensed to it. No licence is granted for the use of it other than for information purposes in connection with the products to which it relates. No licence of any intellectual property rights is granted. The Information is subject to change without notice and replaces all data sheets previously supplied. The Information supplied is believed to be accurate but the Group assumes no responsibility for its accuracy or completeness, any error in or omission from it or for any use made of it. Users of this data sheet should check for themselves the Information and the suitability of the products for their purpose and not make any assumptions based on information included or omitted. Liability for loss or damage resulting from any reliance on the Information or use of it (including liability resulting from negligence or where the Group was aware of the possibility of such loss or damage arising) is excluded. This will not operate to limit or restrict the Group's liability for death or personal injury resulting from its negligence. SPC Multicomp is the registered trademark of the Group. © Premier Farnell plc 2011.

<http://www.farnell.com>
<http://www.newark.com>
<http://www.cpc.co.uk>

